

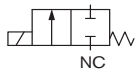
2/2- and 3/2-way Rocker Solenoid Valve

- 22 mm ultra compact design with orifices up to DN 3.0
- Isolating diaphragm for high chemical resistance
- Circuit function NC, NO and 3-way universal
- Back pressure tightness via rocker principle
- Minimal internal volume with excellent cleanability

Direct acting medium separated 2/2- and 3/2-way Rocker Solenoid Valve for control of aggressive fluids and gases in analytical medical applications, the food industry, and also the chemical industry for dosing, filling, mixing and distribution.

The medium is in contact with fluid housing and seal material solely through the isolating diaphragm. This valve with the new TwinPower-actuator, robust screw-in connection and 22 mm installation width, will fulfil the highest requirements. The established rocker solenoid technology is characterized through full back pressure tightness, good rinsing capability and low internal volume. Type 6628 is available in different technical versions and by virtue of several body options, it offers a perfect adaptation in fluid applications.

Circuit function A



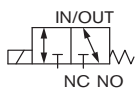
2/2-way valve,
direct acting,
normally closed

Circuit function B



2/2-way valve,
direct acting,
normally open

Circuit function T

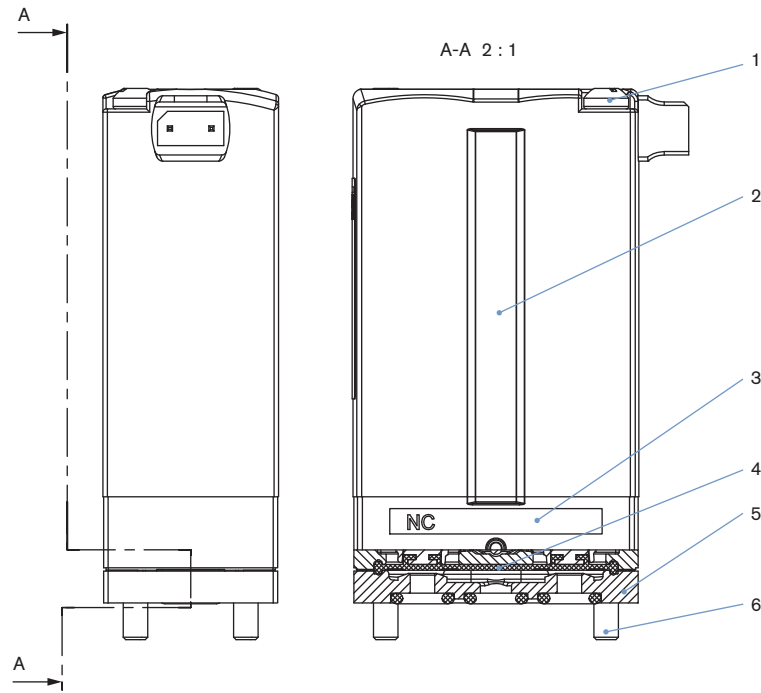


3/2-way valve,
direct acting,
universal function

Other circuit functions on request.

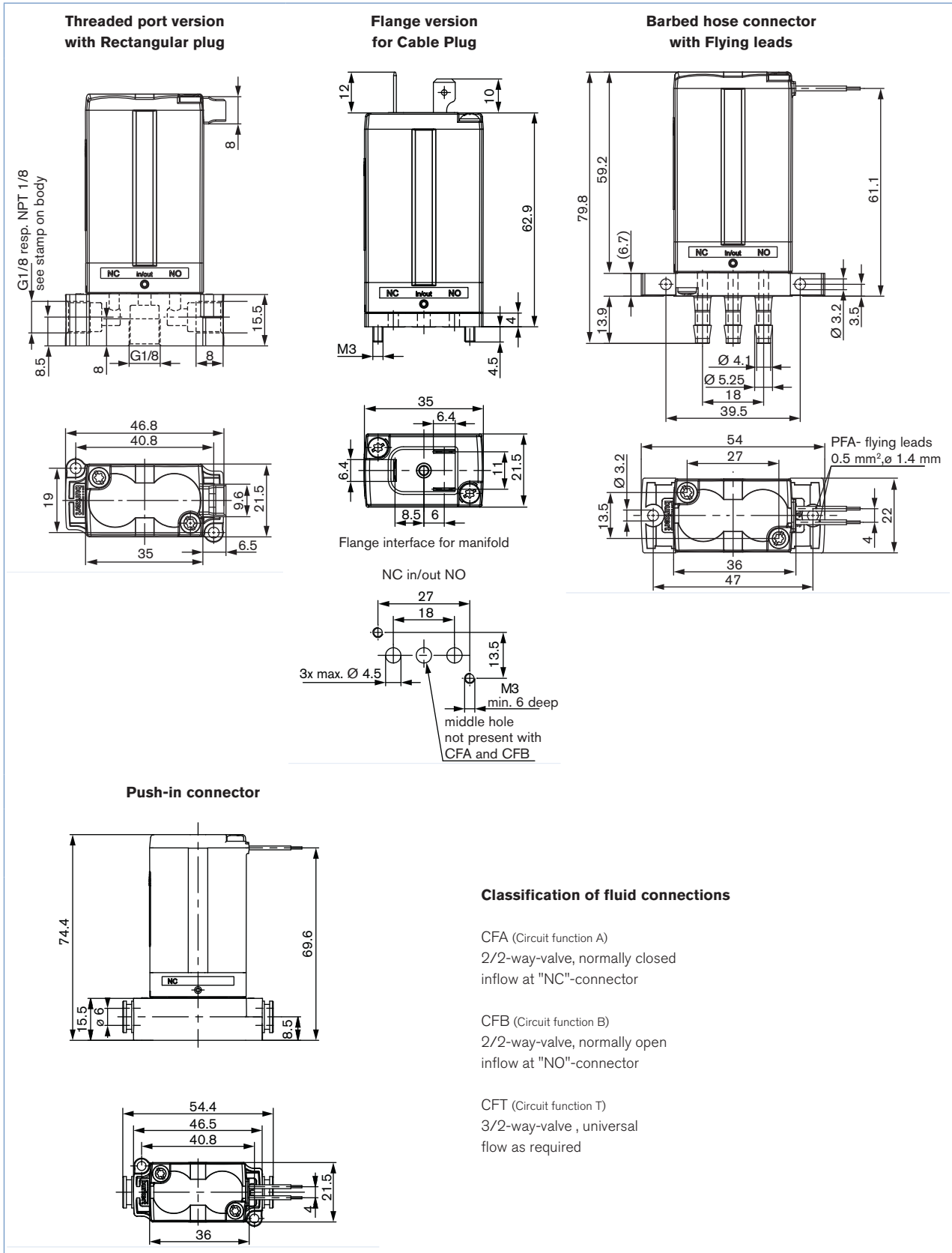
Technical Data	
Orifice	DN 2.0 or 3.0 mm
Body material	PEEK, PPS or PVDF (PP on request)
Seal material	FFKM, FKM or EPDM
Medium	Resistant to neutral and aggressive gases and liquids acc. to our chemical resistance chart
Medium temperature	
FKM	0 to +55°C
FFKM	+10 to +55°C
EPDM	-10 to +55°C
Ambient temperature	
FKM	0 to +55°C
FFKM	+10 to +55°C
EPDM	-10 to +55°C
Internal volume	approx. 200 µl
Viscosity	max. approx. 21 mm ² /s
Port connection	<ul style="list-style-type: none"> ▪ Bürkert-Flange (22 x 35 mm) ▪ G 1/8 ▪ NPT 1/8 ▪ Barbed hose connector 4 mm (5/32") ▪ Push-in connector (tube's external diameter 6 mm)
Electrical connection	<ul style="list-style-type: none"> ▪ PFA single flying leads, 0,5 mm², 500 mm ▪ Rectangular plug for cable plug Type 2505 ▪ Industry plug acc. to DIN 43650 Form B for cable plug Type 2507 on request ▪ circular connector M8 on request
Power supply	12 V DC, 24 V DC Other voltages on request
Voltage tolerance	±10%
Power consumption	5 W
Duty cycle	100% continuous operation
Installation	As required, preferably with actuator upright
Protection class	IP 54 (IP40 with rectangular plug Type 2505)
Response times	Measurement at valve output with 2 bar and 20°C acc. to DIN ISO 12238:2001
opening	25 ms (pressure build-up 0-10%)
closing	25 ms (pressure build-up 100-90%)
Manual override	on request

Materials

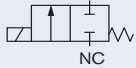


	Description	Material
1	Fixing screw (from end to end)	Stainless steel
2	Coil	Epoxy
3	Valve body	PPS
4	Diaphragm (Medium contact)	FFKM, FKM or EPDM
5	Fluid housing (Medium contact)	PEEK, PPS or PVDF (PP on request)
6	Flange seal (Medium contact)	FFKM, FKM or EPDM

Dimensions [mm]

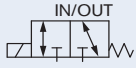


Ordering chart

Circuit function	Orifice [mm]	Port connection	Kv value water [m ³ /h]	Q ₉₀ value air [l/min]	Pressure range [bar]	Max. pressure difference [bar]	Seal material	Body material	Electrical connection	Voltage/Frequency [V/Hz]	Item no.															
A  2/2-way valve, direct acting, normally closed	2	Bürkert-Flange	0.1	110	Vac-5	5	EPDM	PPS	Rectangular plug	24/DC	250 857															
									Flying leads, 500 mm		12/DC	251 614														
									Rectangular plug	24/DC	246 199															
									Flying leads, 500mm		242 030															
									Plug top		251 643															
									Flying leads, 500 mm		251 613															
	3	Hose connector	0.17	180	Vac-3	3	PEEK	PPS	Rectangular plug	24/DC	236 170															
									Flying leads, 500 mm		251 644															
									G 1/8	0.1	110	110	Vac-5	5	FKM	PPS	Rectangular plug	24/DC	251 618							
																	Flying leads, 500 mm		12/DC	251 620						
																	Bürkert-Flange	0.17	180	Vac-3	3	PEEK	PPS	Rectangular plug	24/DC	246 382
																								Flying leads, 500mm		248 017
	Plug top	251 624																								
	Flying leads, 500 mm	238 616																								
	Hose connector	G 1/8	0.17	180	Vac-3	3	PEEK	PPS	Flying leads, 500 mm	24/DC	251 628															
									Plug top		242 340															
									Push-in connection	0.17	180	Vac-3	3	PEEK	PPS	Flying leads, 500mm	24/DC	238 615								
																Flying leads, 500mm		251 650								
2																Bürkert-Flange	0.1	110	Vac-5	5	FFKM	PEEK	Rectangular plug	24/DC	235 315	
																							Flying leads, 500 mm		12/DC	234 350
	3	Hose connector	0.17	180	Vac-3	3	FFKM	PVDF															Rectangular plug	24/DC	235 316	
																									Flying leads, 500 mm	270 082
									G 1/8	0.17	180	Vac-3	3	FFKM	PEEK								Rectangular plug	24/DC	235 317	
																									Flying leads, 500 mm	270 083
Push-in connection																0.17	180	Vac-3	3	FFKM	PEEK	Rectangular plug	24/DC	230 304		
																								Flying leads, 500 mm	270 081	
	3	Hose connector	0.17	180	Vac-3	3	FFKM	PEEK														Flying leads, 500 mm	24/DC	235 318		
																								Flying leads, 500 mm	235 319	
									G 1/8	0.17	180	Vac-3	3	FFKM	PEEK							PEEK	Flying leads, 500 mm	24/DC	251 686	

- Kv-value water [m³/h] max. flow rate for water measured at +20° C, 1 bar pressure to atmosphere
- Rectangular plug types delivered without plug (see ordering chart for accessories)

Ordering chart, continued

Circuit function	Orifice [mm]	Port connection	Kv value water [m ³ /h]	Q _v value air [l/min]	Pressure range [bar]	Max. pressure difference [bar]	Seal material	Body material	Electrical connection	Voltage/Frequency [V/Hz]	Item no.				
T  3/2-way valve, direct acting, universal function	2	Bürkert-Flange	0.1	110	Vac-5	5	EPDM	PPS	Rectangular plug	24/DC	250 859				
									Flying leads, 500 mm	12/DC	241 889				
											241 726				
			Rectangular plug	24/DC	251 616										
			Flying leads, 500mm		245 256										
			Plug top		251 645										
	3	Hose connector	0.17	180	Vac-2	2	PEEK	PPS	Flying leads, 500 mm	24/DC	251 617				
											245 205				
									Plug top	251 647					
			G 1/8	0.17	180	Vac-2			2	FKM	PPS	Rectangular plug	24/DC	251 629	
												Flying leads, 500 mm	12/DC	251 630	
														251 633	
	3	Hose connector	0.17	180	Vac-2	2	PEEK	PPS	Rectangular plug	24/DC	251 634				
									Flying leads, 500mm		251 635				
									Plug top		251 684				
			G 1/8	0.17	180	Vac-2			2	FKM	PEEK	Flying leads, 500 mm	24/DC	251 637	
														251 638	
												Plug top	251 649		
	3	Push-in connection	0.17	180	Vac-2	2	PPS	PPS	Flying leads, 500mm	24/DC	251 685				
			2	Bürkert-Flange	0.1	110			Vac-5	5	FFKM	PEEK	Rectangular plug	24/DC	235 320
													Flying leads, 500 mm	12/DC	234 340
															235 321
3	Hose connector	0.17	180	Vac-3	3	FFKM	PVDF	Rectangular plug	24/DC	235 322					
													270 079		
													235 322		
		G 1/8	0.17	180	Vac-3		3	FFKM	PEEK	Rectangular plug	24/DC	235 322			
												270 080			
												230 305			
G 1/8	0.17	180	Vac-3	3	FFKM	PEEK	Flying leads, 500 mm	24/DC	270 078						
									235 323						
									235 325						





- Kv-value water [m³/h] max. flow rate for water measured at +20° C, 1 bar pressure to atmosphere
- Rectangular plug types delivered without plug (see ordering chart for accessories)

i Further versions on request

Electrical connection
 Cable plug connection acc. to Form B (Industrial standard)
 Flying leads

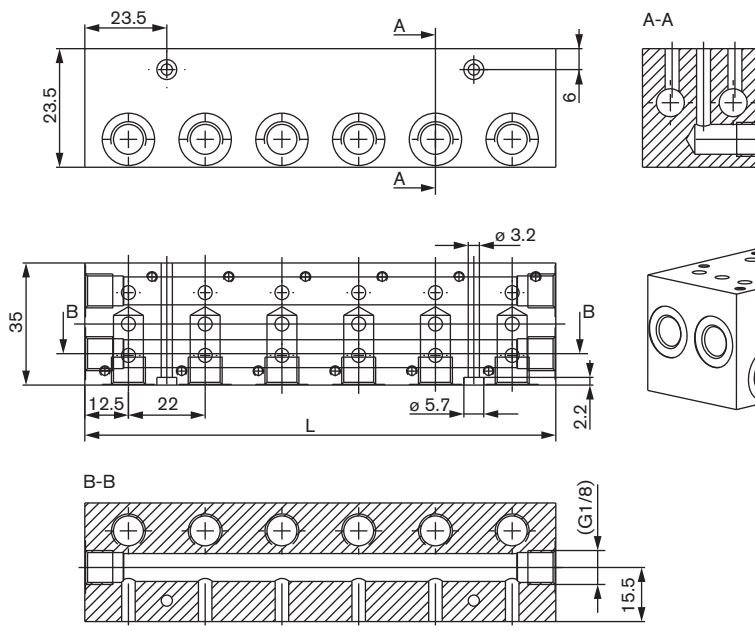
Material
 Other body and seal materials

Ordering chart for accessories

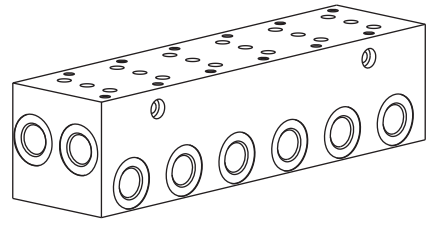
Description	Item no.
 <p>Rectangular cable plug Type 2505 with 3 m cable</p>	133 486
 <p>Rectangular cable plug Type 2505 with 300 mm flying leads</p>	644 068
 <p>Cable Plug Type 2507 according to Industrial standard Form B, without circuitry, 0... 250 V AC/DC</p>	423 845
 <p>Cable Plug Type 2507 according to Industrial standard Form B, with LED, 24 V AC/DC</p>	423 849

Dimensions [mm] and ordering chart for manifold

Multiple Manifolds with individual service port (G1/8) and diverter function on 2 common channels (G1/8); Delivery without valves; Material: anodized aluminium



Technical drawings showing dimensions for the manifold. Top view shows a width of 23.5 mm and a height of 6 mm. Side view A-A shows a height of 26 mm and a G1/8 port. Cross-section B-B shows a height of 15.5 mm and a G1/8 port. Other dimensions include 35 mm, 12.5 mm, 22 mm, 2.2 mm, 5.7 mm, and 3.2 mm.



3D perspective view of the manifold showing the top surface with multiple ports and the side surface with two common channels.

Manifold	L [mm]	Item no.
2-fold	47	669 571
3-fold	69	672 633
4-fold	91	669 572
5-fold	113	672 661
6-fold	135	669 570
10-fold	223	672 660

▪ Other versions on request.

Application examples

Flying leads valve with plug-in coupling



Flying leads valve with threaded body



Rectangular plug with hose connector



Rectangular plug with manual override and flange



To find your nearest Bürkert office, click on the orange box →

www.burkert.comIn case of special application conditions,
please consult for advice.Subject to alterations
© Christian Bürkert GmbH & Co. KG

1503/3_EU-en_00895161